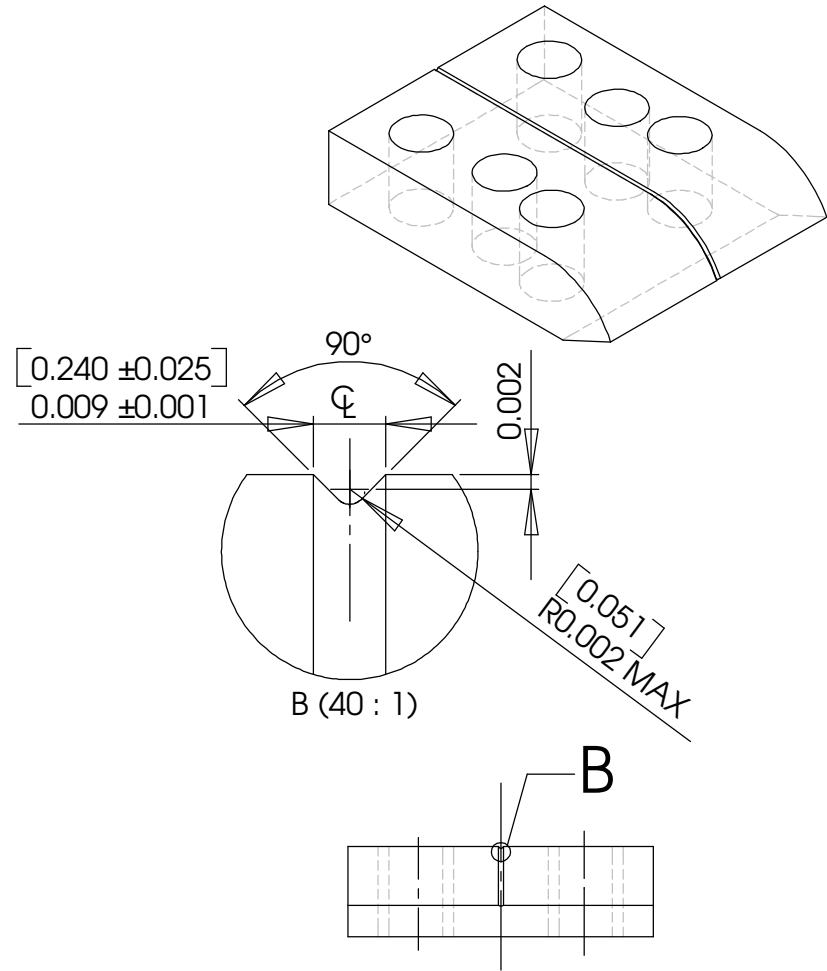
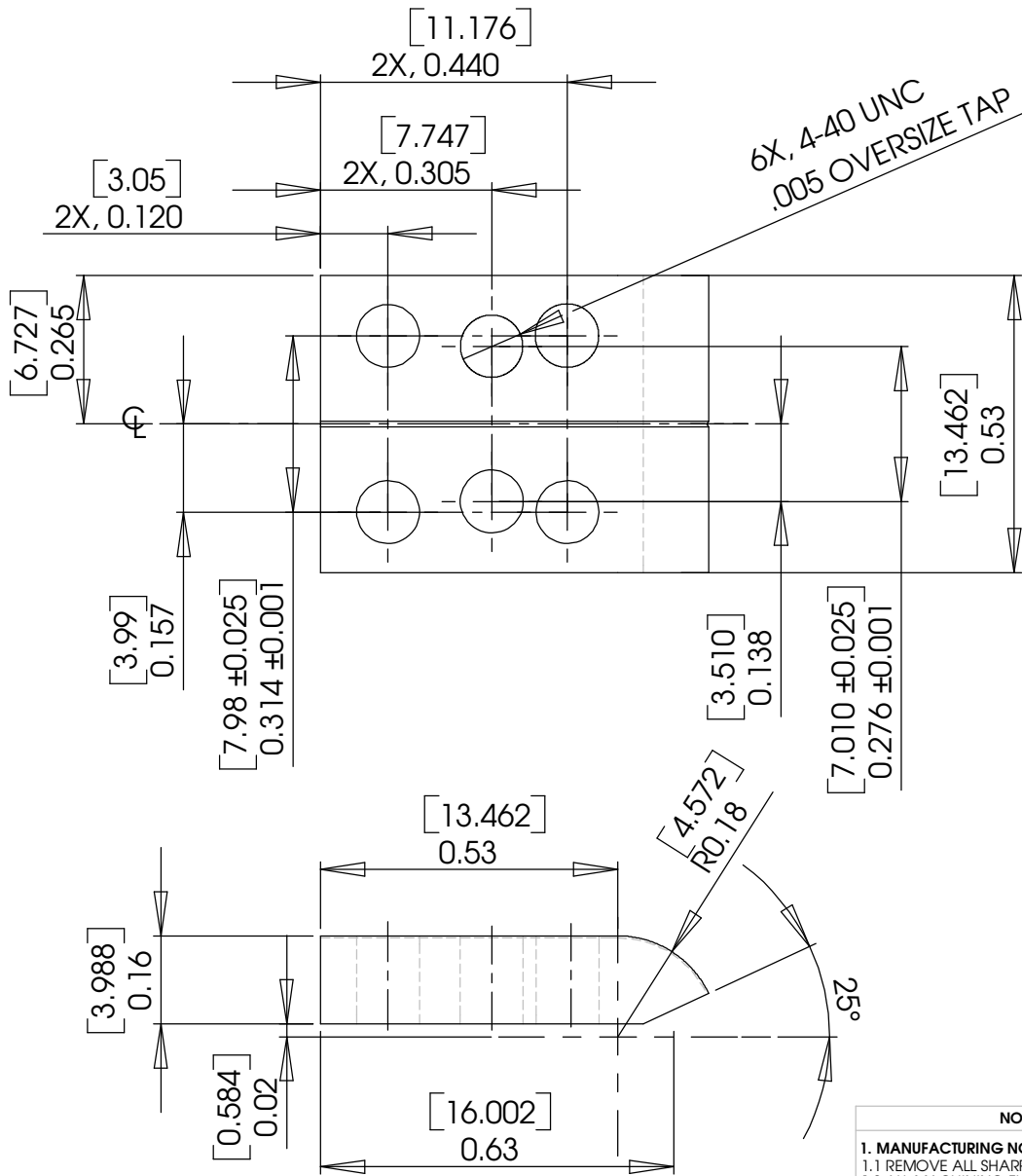


REV.	DATE	DCN #	DRAWING TREE #



**SolidWorks Educational License
Instructional Use Only**

NOTES (UNLESS OTHERWISE SPECIFIED):				CALIFORNIA INSTITUTE OF TECHNOLOGY MASSACHUSETTS INSTITUTE OF TECHNOLOGY INSTITUTE FOR GRAVITATIONAL RESEARCH UNIVERSITY OF GLASGOW																		
1. MANUFACTURING NOTES: 1.1 REMOVE ALL SHARP EDGES (R.02 MIN) 1.2 ALL MACHINING FLUIDS SHALL BE WATER SOLUBLE AND FREE OF SULPHUR, CHLORINE AND SILICONE 2. DRAWING NOTES: 2.1 DIMENSIONS IN SQUARE BRACKETS (dimension) ARE IN mm AND ARE FOR IGR REFERENCE ONLY.				MATERIAL 300 SERIES STAINLESS																		
				FINISH ---																		
DIMENSIONS ARE IN INCHES GENERAL TOLERANCES: .XX ±0.01 .XXX ±0.005 ANGULAR ±0.5°				SYSTEM ADVANCED LIGO		REVISION REV. 00																
1. DRAWING NOTES: 2.1 DIMENSIONS IN SQUARE BRACKETS (dimension) ARE IN mm AND ARE FOR IGR REFERENCE ONLY.				SUB-SYSTEM SUS		PART NAME MC: UPPER MASS																
2. DRAWING NOTES: 2.1 DIMENSIONS IN SQUARE BRACKETS (dimension) ARE IN mm AND ARE FOR IGR REFERENCE ONLY.				NEXT ASSY REVISED ROUNDED BLADE WIRE CLAMP		DWG. NO. D030178																
<table border="1"> <thead> <tr> <th>NAME</th> <th>DATE</th> <th>SIZE</th> <th>DWG. NO.</th> <th>REV.</th> </tr> </thead> <tbody> <tr> <td>DRAWN MPL</td> <td>9/APR/03</td> <td>A</td> <td>D030178</td> <td>00</td> </tr> <tr> <td>CHECKED RAJ</td> <td>9/APR/03</td> <td></td> <td></td> <td></td> </tr> </tbody> </table>				NAME	DATE	SIZE	DWG. NO.	REV.	DRAWN MPL	9/APR/03	A	D030178	00	CHECKED RAJ	9/APR/03				SCALE: NTS		PROJECTION:	
NAME	DATE	SIZE	DWG. NO.	REV.																		
DRAWN MPL	9/APR/03	A	D030178	00																		
CHECKED RAJ	9/APR/03																					
SCALE: NTS				PROJECTION:		SHEET 1 OF 1																